

## Cost effective USB LCD TV module

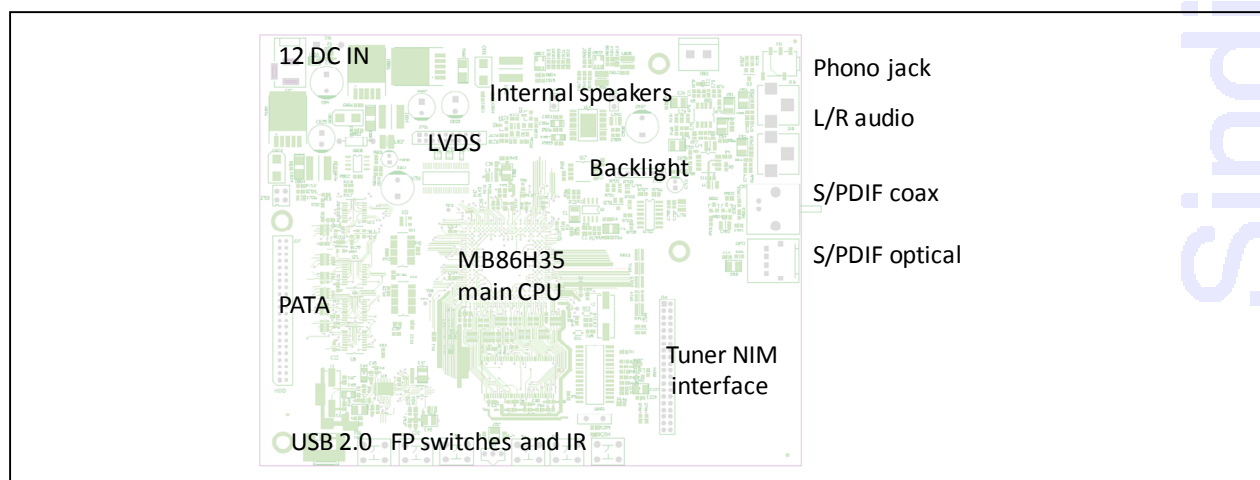
Data Sheet  
Date: 18<sup>th</sup> September '08

### Hardware Features:

- Consists of two PCBs: Tuner NIM + main single chip decoder/scalar
- Tuner NIM with Dibcom silicon diversity tuner / demodulator
  - Both tuners used for single frequency for bad reception areas
  - Both tuners used independently for good reception areas (DVR function)
  - Option to remove one tuner for cost down solution
- MB86H35 MPEG-2 decoder main micro (202.5 MHz CPU)
- 1 x 128Mbit DDR SDRAM
- 1 x 32Mbit serial FLASH (No EEPROM required)
- Internal PATA HDD for DVR functions
- USB 2.0 OTG for media storage / playback and software upgrade
- LVDS output for LCD panel connection (up to 15 inch panels)
- Audio: L/R, Phono, S/PDIF and TV speaker connection outputs (incl. mute)
- Front panel interface buttons and IR remote control input
- Designed for the fast growing market of 'second bedroom' digital only TVs

### Software Features:

- LCD TV DVB-T software stack
  - Video and audio decoding MPEG-2 fully DVB compliant
  - ETSI300472 teletext
  - ETSI1300706 subtitle
  - JPEG decoding and display
  - English, French, German, Spanish languages (others as required)
  - Landscape / portrait picture display (video and stills)
  - Full EPG tables and display
  - Software upgrade via USB memory stick or DVB-SSU
  - Full dual tuner DVR functions incl. trick modes, time-shift and edit
- Advanced EPG features
  - Search for event and repeat
  - Aspect ratio easy selection
  - Clock, agenda and wake up alarm with message



SindiTV R&D: 57 Genting Lane, #10-00 Gani Building, Singapore ([www.sindiTV.com](http://www.sindiTV.com))