

## Low cost DVB HD H.264 slave TV module

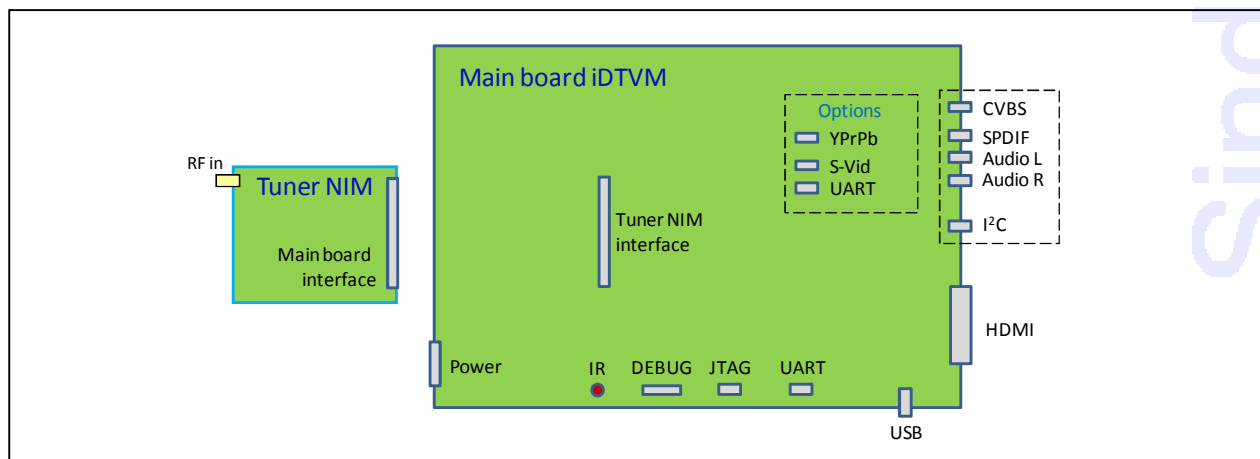
Data Sheet  
Date: 25<sup>th</sup> Sept '08

### Hardware Features:

- Consists of two PCBs: Tuner NIM + main iDTVM
- Low BOM cost
- Tuner NIM with options for different demodulators and tuners
- PC-CARD CI interface (France)
- MB86H60 H.264 decoder main micro (324 MHz CPU)
- 2 x 512Mbit SDRAM
- 1 x 16Mbit serial FLASH
- No EEPROM required
- HDMI 1.2 output
- CVBS buffered output (YPrPb / S-Video options)
- UART and optional 5v compatible I<sup>2</sup>C protocol interfaces
- Infra red remote control input for test and demonstration
- USB 2.0 OTG for software upgrade (optional TV software upgrade and media playback)
- 1 Vrms audio outputs with mute control
- S/PDIF output

### Software Features:

- DVB-T specification software stack
  - Conformant to SBTVD ABNT NBR 15604 (03/2008)
  - Auto tuning to all UHF / VHF channels
  - Portuguese, Spanish, English and French languages
  - Video decoding: MPEG-4 H.264
  - Audio decoding: MPEG-4 HE-AAC, Dolby digital, Dolby Digital Plus
  - Timer / wake up functions
  - Full EPG tables and display
  - Over Air Download (DVB-SSU)
- SindiTV slave protocol stack (or customer own protocol)
  - TV is master device
  - Remote control commands sent from TV to iDTVM
  - Special function controls set from TV to iDTVM



SindiTV R&D: 57 Genting Lane, #10-00 Gani Building, Singapore ([www.sindiTV.com](http://www.sindiTV.com))

Standards followed:

No.	Software Module or spec	Standards	Supported
1	Teletext	ETSI300472 - Specification for conveying ITU-R System B Teletext in DVB bitstreams (October 1996, second edition).	O
2	Subtitle	ETSI300706 - Enhanced Teletext specification v1.2.1 (2002-12)	O
		ETSI300743 - Subtitling systems v1.2.1 (2002-2006)	O
3	DATABASE	DVB-SI - ISO/IEC 13818-1 - EN 300 468 - ETSI TR 101 211 - ETR 162	O
4	DVB-CI	EN 50221	O (France)
5	DEMODULATION	DVB-T - EN300744 GB20600-2006 (National standard)	O
6	MPEG-2 / MPEG-4	ISO/IEC 13818-2(Video) and 13818-3 (Audio), EACEM - TR 030 standard for Audio and Video presentation and TR 101 154 ETSI standard. Part 10 (ISO/IEC 14496-10): ETSI-TS 104 154 (addition of MPEG-4)	O
7	Dolby Digital Plus	ETSI-TS 102 366 (Inc dynamic range compression)	O
8	Multi channel audio	ISO/IEC 14496-3	O
9	E-book	IEC 62212-1 first edition 2001-10.	O
10	France DTTV specification	Services profil de signalisation pour la diffusion de la TV numerique de terre CTE-TNT/GT3-03 V2.6 March 2006	O (France)
11	Hong Kong TA baseline	Technical specification for DTTV baseline receiver requirements (Basic tier and Higher tier) Issue 01 June 2007	O
12	HK supplementary character set	HKSCS-2004	O
13	Taiwan 2 <sup>nd</sup> generation spec	Technical Specification for the Second Generation Digital Terrestrial Television Receivers (Draft 1.1c2a) – <i>not</i> High level (ie no MHP support)	O
14	MHEG5 v1.06	ISO_IEC_13522-5- Part 5: Support for base-level interactive applications (1997)	Option (HK)