

Low cost SBTVD H.264 slave TV module

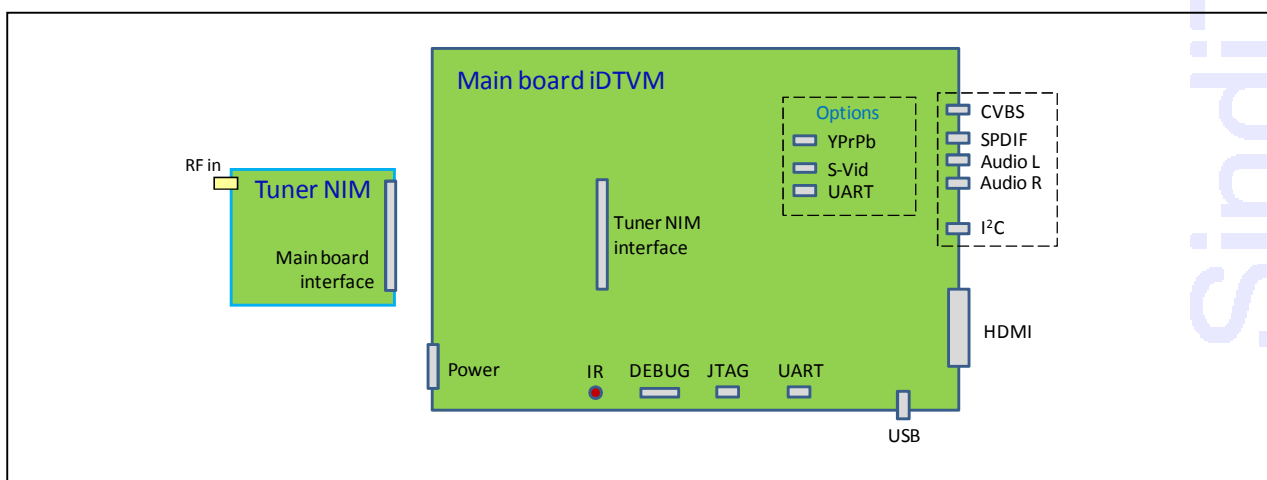
Data Sheet
Date: 25th August '08

Hardware Features:

- Consists of two PCBs: Tuner NIM + main iDTVM
- Low BOM cost
- Tuner NIM with MB86A20S ISDB-T demodulator and NXP tuner
- MB86H60 H.264 decoder main micro (324 MHz CPU)
- 2 x 512Mbit DDR2 SDRAM (Reduction for MP expected)
- 1 x 16Mbit serial FLASH
- No EEPROM required
- HDMI 1.2 output
- CVBS buffered output
- 5v compatible I²C (and optional UART) protocol interface
- Infra red remote control input for test and demonstration
- USB 2.0 OTG for software upgrade (optional TV software upgrade and media playback)
- 1 Vrms (optional 2 Vrms or other) audio outputs with mute control
- S/PDIF output

Software Features:

- SBTVD specification software stack
 - Conformant to SBTVD ABNT NBR 15604 (03/2008)
 - Auto tuning to all UHF / VHF channels
 - Portuguese, Spanish, English and French languages
 - Video decoding: MPEG-4 H.264
 - Audio decoding: MPEG-4 HE-AAC
 - Timer / wake up functions
 - Full EPG tables and display
- SindiTV slave protocol stack (or customer own protocol)
 - TV is master device
 - Remote control commands sent from TV to iDTVM
 - Special function controls set from TV to iDTVM



SindiTV R&D: 57 Genting Lane, #10-00 Gani Building, Singapore (www.sindiTV.com)