

Low cost DVB SD MPEG-2 slave TV module

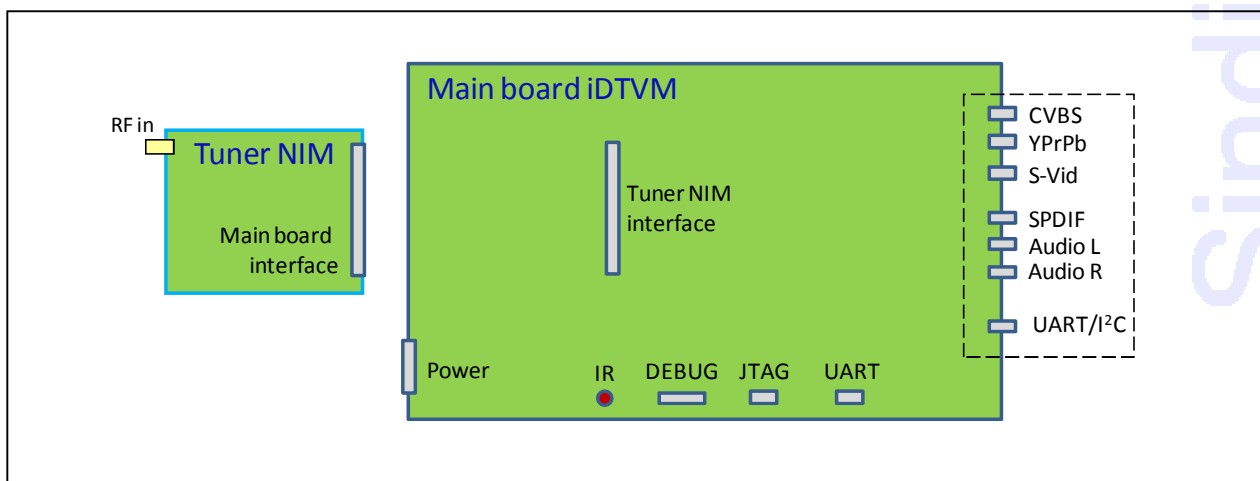
Data Sheet
Date: 25th Sept '08

Hardware Features:

- Consists of two PCBs: Tuner NIM + main iDTVM
- Low BOM cost
- Tuner NIM with options for different demodulators and tuners
- PC-CARD CI interface (EN50221)
- MB86H20 MPEG-2 decoder main micro (130.5 MHz CPU) or MB86H25 (no CI)
- Optional MB86H35 with USB2.0 OTG
- 128 Mbit SDRAM
- 16Mbit serial FLASH
- No EEPROM required
- CVBS buffered / YPrPb / S-Video outputs (1Vp-p)
- UART and optional 5v compatible I²C protocol interfaces
- Infra red remote control input for test and demonstration
- 1 Vrms audio outputs with mute control
- S/PDIF output

Software Features:

- DVB-T specification software stack
 - ETSI300472 teletext
 - ETSI300706 Subtitle
 - Optional MHEG-5 v1.06 / DSMCC
 - Video decoding: MPEG-2
 - Audio decoding: MPEG
 - Timer / wake up functions
 - Full EPG tables and display
 - Over Air Download (DVB-SSU)
- SindiTV slave protocol stack (or customer own protocol)
 - TV is master device
 - Remote control commands sent from TV to iDTVM
 - Special function controls set from TV to iDTVM



SindiTV R&D: 57 Genting Lane, #10-00 Gani Building, Singapore (www.sindiTV.com)